

ED6

EDGE DAGGER

6-LED NARROW PROFILE LIGHTHEAD

Dual Colour

Single Colour



FEATURES

- An ideal solution for limited space: 13mm (0.51") in height and 85mm (3.35") in length.
- Tinted lens provide less conspicuous appearance and smooth aesthetic for modern vehicles.
- Universal Multi-angle Brackets, mounting virtually anywhere.
- Optional Adjustable Bracket with for hood mount application.
- ECE R65 Class 2 (single colour) and ECE R65 Class 1 (dual colour) homologated light performance. Documentation available upon request.
- Independent Cruise Mode in calmly steady-burn.
- ECE R10 EMC Compliance.
- Multi-unit synchronization in simultaneous or alternating flash.
- Reverse polarity protection.
- Weatherproof and vibration resistant design for external use.

SPECIFICATIONS

Compliance: ECE R65 (XA2, XB2, XR2), Single Colour/ Clear Lens;
ECE R65 (XA1, XB1, XR1), Dual Colour/ Clear Lens;
ECE R65 (XA1, XB1), Single Colour/ Tinted Lens;
ECE R10;
SAE J595 Class1; CA Title 13;
IPX8

LED Elements: High-power LED x 6pcs

No. of Warning Patterns: 28 for Dual Colour; 18 for Single Colour

Operating Voltage: 12~24VDC

Average Current: 0.6A @12VDC / 0.3A @24VDC, Single Colour
0.3A @12VDC / 0.15A @24VDC, Dual Colour
(varies with flash pattern)

Max. Current: 1.2A @12VDC / 0.6A @24VDC, Single Colour
0.6A @12VDC / 0.3A @24VDC, Dual Colour

Average Power: 7.2W, Single Colour
3.6W, Dual Colour
(varies with flash pattern)

Max. Power: 14.4W, Single Colour
7.2W, Dual Colour

Wires: Red - 20cm (24AWG)
Black - 20cm (24AWG)
White - 20cm (24AWG)
Green - 20cm (24AWG)
Yellow - 20cm (24AWG)

Fuse Rating: 2A for Single Colour; 1A for Dual Colour

Synchronization: up to 20 units

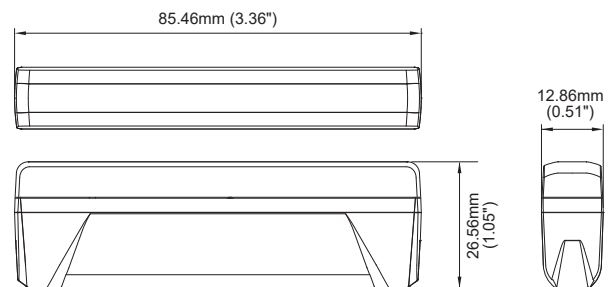
LED Color: Amber, Blue, Red, Green, White

Lens Color: Clear, Tinted

Storage Temp. : -40°C to +75°C

Working Temp. : -40°C to +65°C

DIMENSIONS



FLASH PATTERN

Flash Pattern		
1	Double	[2Hz]
2	Single	[2Hz]
3	Triple	[2Hz]
4	Quad	[2Hz]
5	Random	
6	Steady EF*	
7	Single	[SAE/CA13]
8	Double	[SAE]
9	Triple	[SAE]
10	Quad	[SAE]
11	Quint	[SAE]
12	Mega	
13	Giga	
14	Ultra	[SAE]
15	Single-Quad	
16	Single H/L	
17	Single-Triple-Quint	
18	Steady Scene	
19	Single-Single	
20	Double-Double	
21	Triple-Triple Mid	
22	Triple-Triple Fast	
23	Quint-Triple	
24	7-1 Flash	
25	7-1 Flash #	
26	Quad-Single	
27	Quad-Single #	
28	Quint-Quint	

FP#19~28 available on dual colour models only.

* For use with external flash controller.

Inverted colour mode.

PART NO.

▼ Single Color

Clear Lens

- **02180175** (Amber)
- **02180182** (Blue)
- **02180199** (Red)
- **02180250** (White)*

ECE R10 & ECE R65 Class 2
 * Non-compliance with ECE R65

Tinted Lens

- **02180267** (ECE R10 & R65 Class 1, Amber)
- **02180274** (ECE R10 & R65 Class 1, Blue)

▼ Dual Color

- **02180236** (Amber/White)
- **02180205** (Amber/Blue)
- **02180243** (Blue/White)
- **02180212** (Blue/Red)

- **M077-x013y-000**

Replace **x** for Compliance:

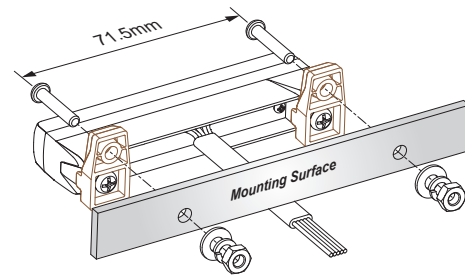
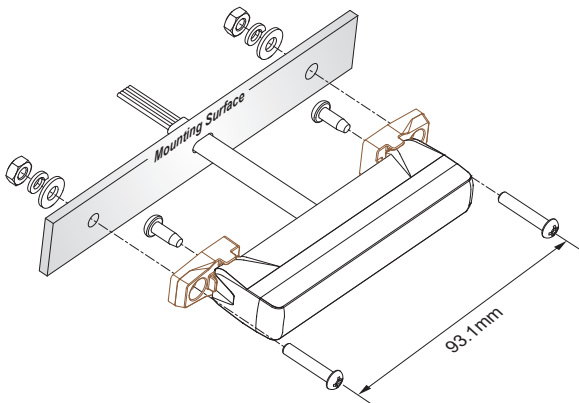
- 1 = SAE
- 2 = ECE R65 Class 1

Replace **y** for colour:

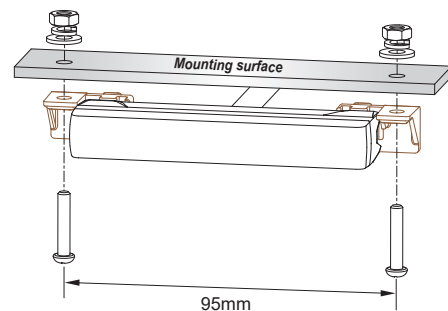
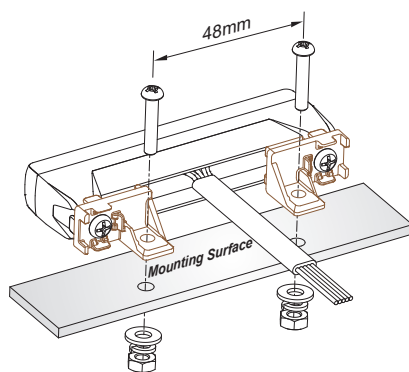
- J = Amber/Red U = Red/White
- M = Amber/Green *

INCLUDED MOUNTING BRACKETS

Universal Bracket (Multi-Angle)



L-Bracket (Front/Rear)



OPTIONAL ACCESSORY

ADJUSTABLE BRACKET

(02180229)

