

B16

R65 LED BEACON



FEATURES

- Certified powerful ECE R65 performance in all colour.
- Aero-dynamic Smooth dome lens for best appearance.
- Low profile design with only 88mm in height.
- Multiple mounting styles for all vehicle applications.
- 12~24VDC operation.
- Non-volatile flash pattern memory.
- Multi-units synchronization in simultaneous or alternating flash.
- 100,000 hours rated Long-Life LED.
- Reverse polarity protection.
- Weatherproof and shockproof capability for all environment.

SPECIFICATIONS

Compliance: ECE R65 (TA1, TB2, TR1); ECE R10; SAE J845; CA13; IPX5

Operating Voltage: 12~24VDC

Warning Pattern: 11 Flash Patterns

LED Elements: 3W LED x 8 pcs

Avg. Current: 1.2A @12.8VDC / 0.7A @24VDC
(varies by flash pattern)

Avg. Power: 15W (varies by flash pattern)

Max. Current: 2.4A @12.8VDC / 1.3A @24VDC

Max. Power: 30W

Wire:

Magnetic Mount

- Single button cigar-plug: 300cm / 118.11in
- European cigar-plug: 250cm / 98.42in

Permanent Mount

- Red-Vcc : 40cm / 15.74in (20AWG)
- Black-GND: 40cm / 15.74in (20AWG)
- Yellow-Flash Pattern & Sync: 40cm / 15.74in (20AWG)
- White-Phase: 40cm / 15.74in (20AWG)

Recommended Fuse Rating: 5A

LED Colour: Red, Blue , or Amber

Lens Colour: Red, Blue , or Amber

Multi-Unit Synchronization: Up to 15 units

Storage Temperature: -40°C to +75°C

Operating Temperature: -30°C to +65°C

Warranty: 5 Years

PART NO.

- **B016-1x231-000** ECE R65, AMBER (TA1)
- **B016-1x232-000** ECE R65, BLUE (TB2)
- **B016-1x234-000** ECE R65, RED (TR1)
- **B016-1x131-000** SAE AMBER (WS3-1, CA13)
- **B016-1x132-000** SAE BLUE (WS3-1, CA13)
- **B016-1x134-000** SAE RED (WS3-1, CA13)

Mounting Style - replace x with the following:

- 1 = 3-Bolt Mount
- 2 = Magnetic Mount (Straight cord with single button cigar-plug)
- 3 = DIN Pole Mount
- 4 = Magnetic Mount (European coil cord and cigar-plug)
- 5 = Power Magnetic Mount* (Straight cord with single button cigar-plug)
- 6 = Power Magnetic Mount* (European coil cord and cigar-plug)
- 9 = Ø18MM Pole Mount (Off centre cable-out)
- A = Ø36MM Pole Mount (Centre cable-out)
- B = Telescopic Pole Mount (2 wire cable-out)

*Power Mag is rated to 250km/hr (Actual performance may depend on the circumstance)

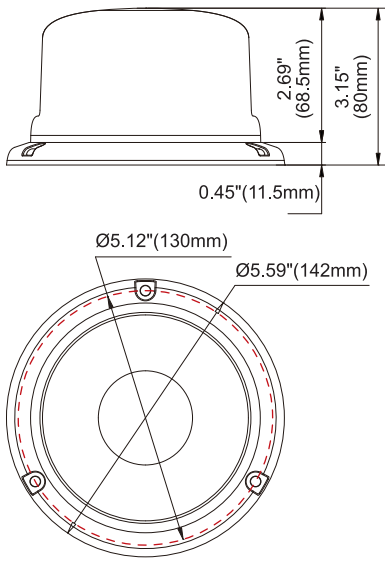
FLASH PATTERN

FP#	FLASH PATTERN	FP#	FLASH PATTERN
1	Double [R65]	7	Quint [SAE]
2	Single [2Hz]	8	Mega
3	Quad [2Hz]	9	Ultra [SAE]
4	Single [SAE, CA13]	10	Single-Quad
5	Double [SAE]	11	Single H/L
6	Quad [SAE]		

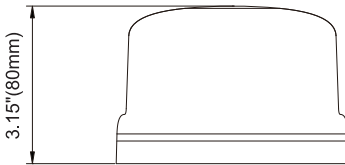
*Actual approval is based on the model ordered.

DIMENSIONS

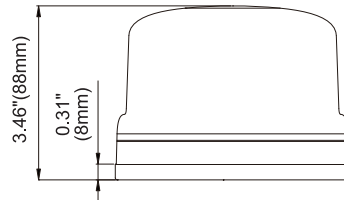
3-Bolt Mount



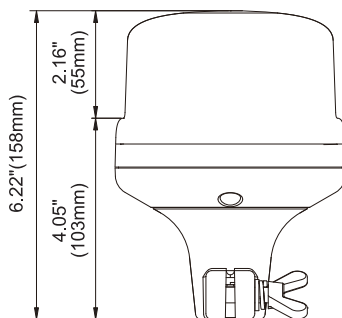
Magnetic Mount



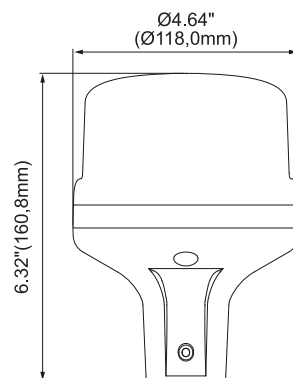
Power Magnetic Mount



DIN Pole Mount



Ø18|Ø36MM Pole Mount



Telescopic Pole Mount

