

LED BEACON

WIRING

RED: To +VDC

BLACK: To Chassis Ground (-)

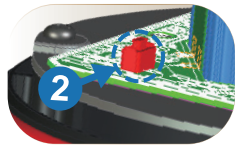
FLASH PATTERN SELECTION

1. Open

Twist the dome lens counter clockwise **1**, then lift the dome lens to open.

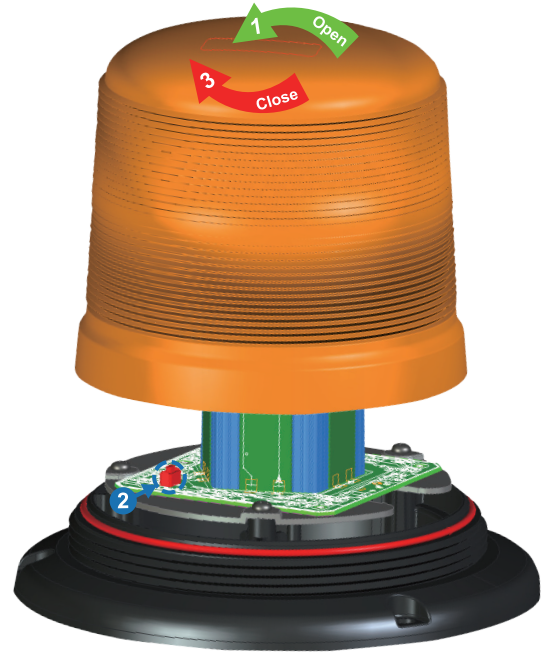
2. Change

While activating Warning Mode, momentarily push the **RED BUTTON 2** to change to the next flash pattern. (see Flash Patterns Chart)



3. Close

Twist and tighten the dome lens clockwise **3** to close.



FP#	FLASH PATTERNS	FP#	FLASH PATTERNS
1	Double [2Hz R65]	7	Quint [SAE]
2	Single [2Hz]	8	Mega
3	Quad [2Hz]	9	Ultra [SAE]
4	Single [SAE]	10	Single-Quad
5	Double [SAE]	11	Single H/L
6	Quad [SAE]		

Note: i. This unit may not be factory-set at FP#1.
ii. Actual approval based on the model ordered.

Dual Purpose Cigar Plug (for applicable models only):

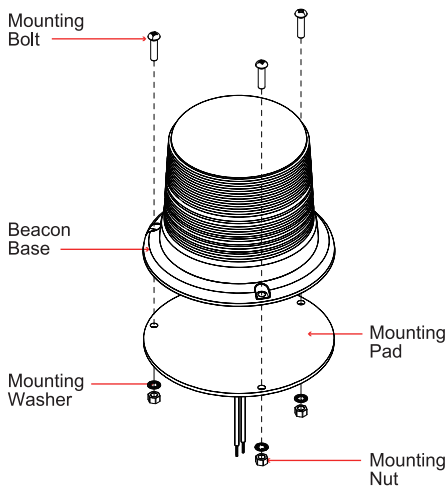
When using models with dual purpose cigar plug, change the plug according to your actual socket by pushing in or out the red plastic frame.



▲ for standard Cigar Lighter Socket

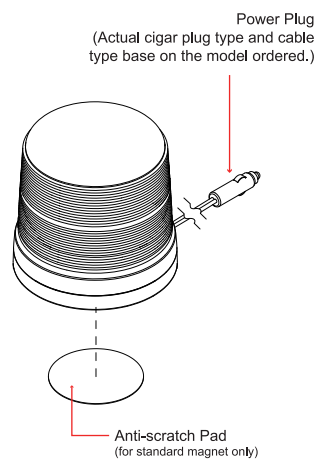
▲ for ISO4165 Socket

3 Bolt Mount



1. Drill holes on the mounting surface for the wire-exit and mounting bolts.
2. Secure the beacon onto the mounting surface with mounting bolts.

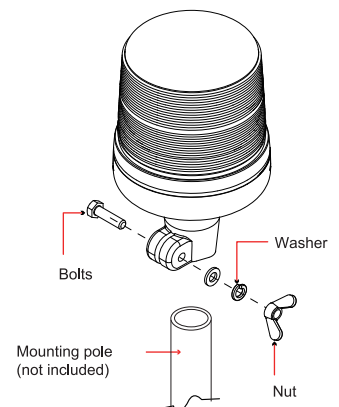
Magnetic Mount



WARNING:

It is not recommended to use magnetically mounted warning devices on outside of vehicle in motion. Usage is at the sole risk and responsibility of the user. (For moving vehicles, please use Power Mags)

DIN Pole Mount



NOTE: All diagrams may not show to scale.